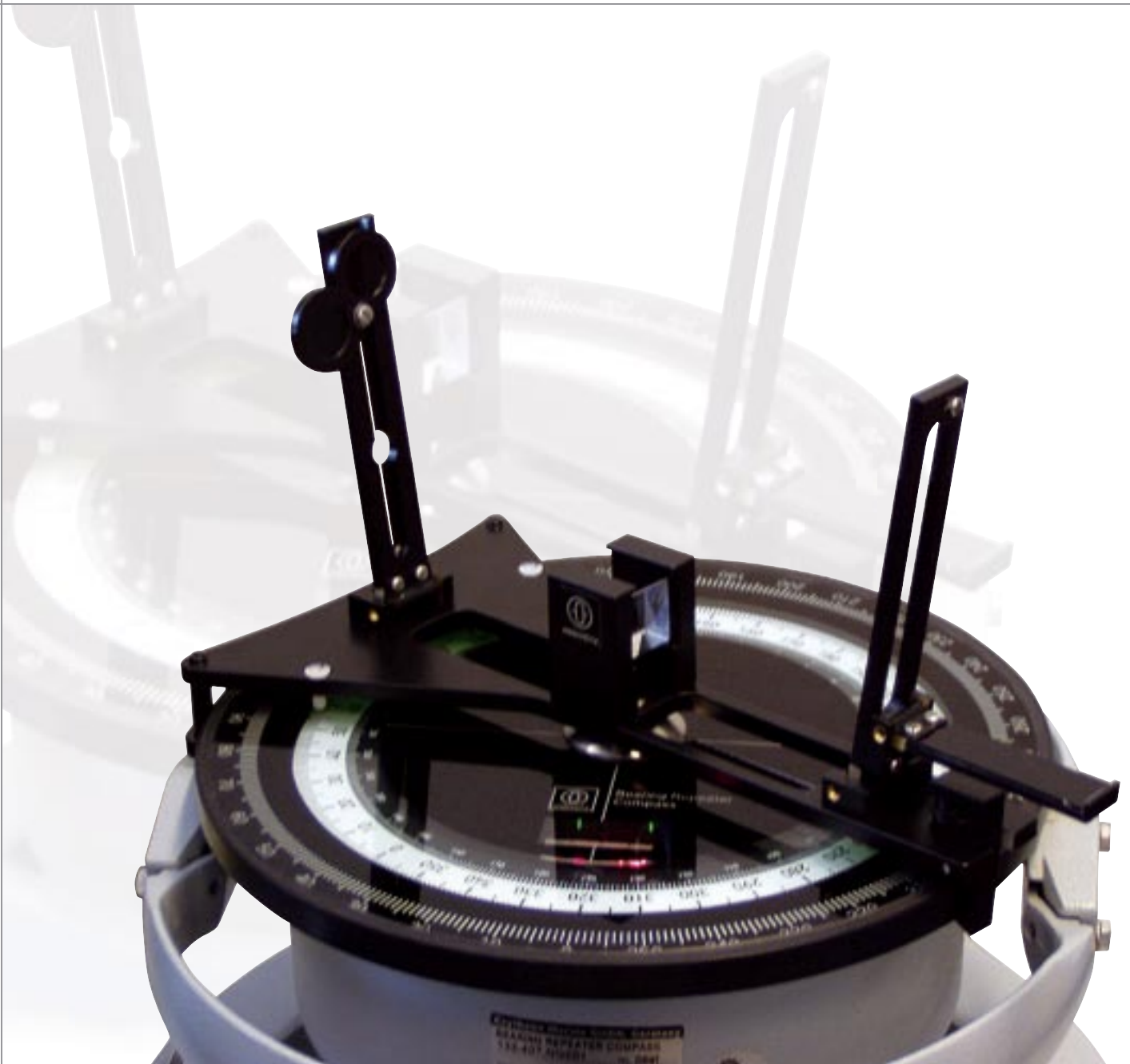




Bearing Sight CP 190





Bearing Sight CP 190

The bearing sight CP 190 is intended for use on Raytheon Anschütz bearing repeater compasses.

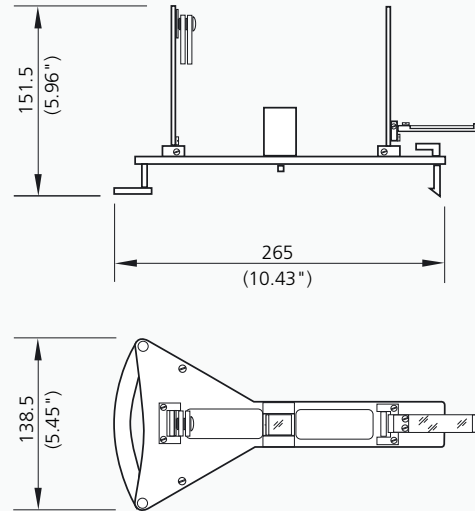
Features

- hinged wire and slit sine vane for exact bearings
- two hinged shade glasses for direct sun observation
- index marks for reading the relative bearings on the graduated scale of the repeater compass
- glass prism with index wire to read compass bearings on the compass card
- the bearing sight comes in a protective case for safe keeping

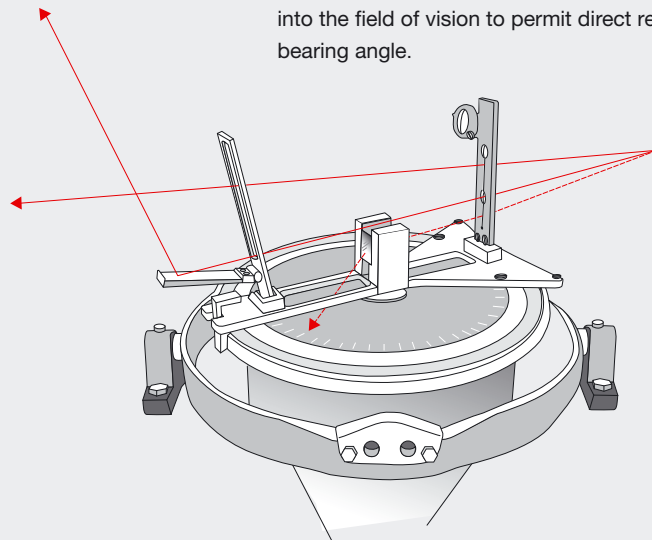
Technical Data

Weight

Bearing sight: appr. 0.7 kg
 Bearing sight with protective case: appr. 2.2 kg



Bearings are taken of terrestrial and celestial objects by means of aft and fore sight or mirror, respectively, with the compass card being simultaneously reflected into the field of vision to permit direct readings of the bearing angle.



Whatever the conditions may be, the user will obtain bearings in a quick and simple way by reading the azimuth directly from the reflected image of the compass card.

