



Digital Repeater Compass





Digital Repeater Compass

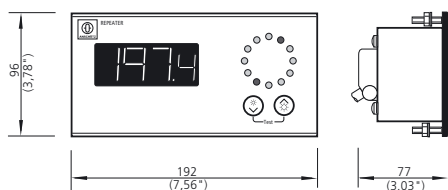
The Digital Repeater Compass indicates heading by using a large display. Heading can be read easily from different viewing angles up to a distance of ten metres. The decimal degree digit is smaller to prevent erroneous reading.

Heading changes are indicated by a two color LED ring indicator. Two LEDs are illuminated at the same time. Depending on the rate-of-turn the LED ring rotates, towards starboard in green and towards port in red. The speed is proportional to the rate-of-turn of the ship – a helpful indication.

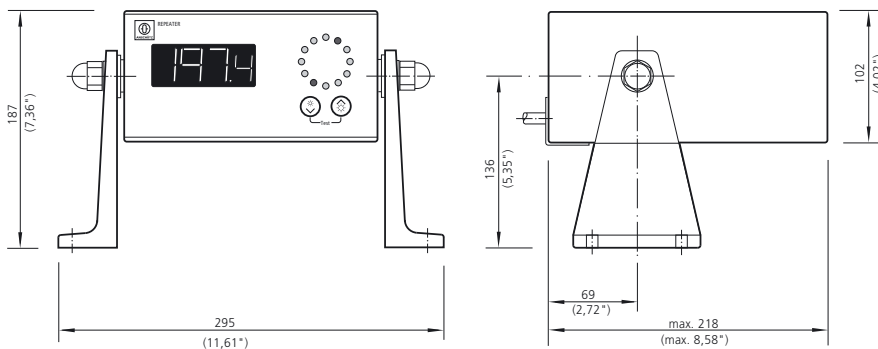
For use on double-end ferries a 180° offset can be added. Illumination is controlled via push buttons or by an external dimmer. By using an external push-button the freeze-function can be activated. This feature allows to take bearings as the heading value is frozen for 6 seconds.

Your Benefits

- Large Display
- Rate-of-turn indication
- Optional casing for bulkhead or ceiling mounting
- Freeze-function
- 180° offset function for use on double-end ferries



Desk Mounting



Option Bulkhead Mounting

Technical Data

Supply Voltage

– 24 V DC (12-36 V DC)

Power Consumption

– Approx. 4 W

Signal Inputs

– Course bus
– NMEA telegrams HEHDT, GPHDT, HCHDT according to EN/IEC 61162-1

Type of enclosure acc. to IEC/EN 60529

– IP 23
– with casing: IP 44

General Data

Temperature range

– Operation: -15° to +55° C
– Storage: -25° to +70° C

Subject to change due to technical developments without notice.