



Steering Repeater Compass





Steering Repeater Compass

The new steering repeater ensures a clear indication of the heading information by using a 360° and a 10° compass card. In addition heading information is shown on a digital display. Both the analogue and the digital display provide a graduation of a tenth of a degree.

The heading source indication is a unique feature of the new steering repeater from Raytheon Anschütz. It displays the source of heading information such as gyro, satellite or magnetic compass. In combination with the Gyro Compass System Standard 22, it is immediately apparent which heading source is selected.

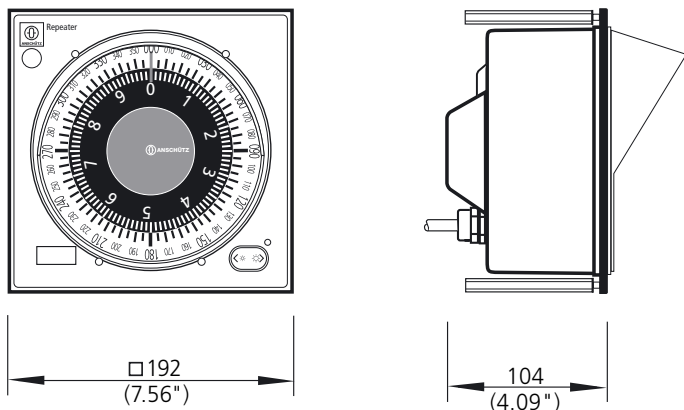
When connected with Raytheon Anschütz' gyro system, alarms and status information of the Gyro Compass Standard 22 can be displayed on the steering repeater. All necessary information is transferred to the wheelhouse independently of the location of the gyro compass.

The steering repeater from Raytheon Anschütz can be connected to course bus or NMEA 0183 and needs no manual synchronization with the master compass. For use on double-end ferries a 180° offset can be added.

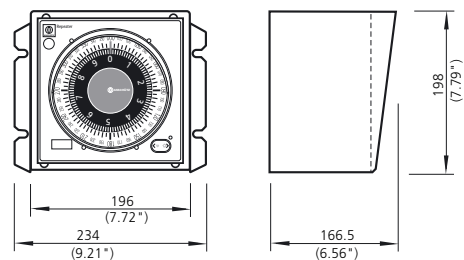
The illumination is concentrated on the lubber line and can be dimmed with push buttons. The anti glare screen is a standard feature.



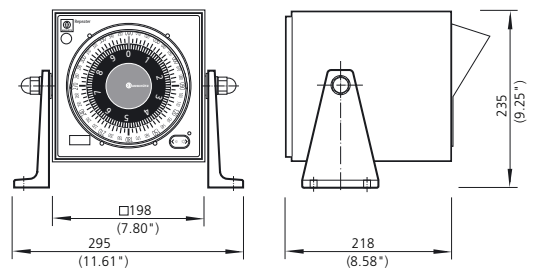
Steering Repeater Compass 133–560 Desk mounting



Bulkhead mounting



Ceiling, wall and table mounting



Technical data

| | |
|--------------------------|---------------------|
| Reading accuracy | 0.1° |
| Supply voltage | 24 V DC (12-36V DC) |
| Power consumption | max. 9 W |

| | |
|---------------------|---|
| Signal input | RS 422 / RS 232C NMEA 0183 or Anschütz course bus |
|---------------------|---|

| | |
|--|--|
| Permissible ambient temperature | Operation: -15°C to +75°C Storage: -25°C to +75°C |
|--|--|

| | |
|---|---|
| Type of enclosure acc. to IEC/EN 60529 | IP 23 IP 44 (option) IP 56 (option) |
|---|---|

| | |
|---------------------------|------------------------------|
| In accordance with | EN/IEC 60945 EN/IEC 61162 |
|---------------------------|------------------------------|

Subject to change due to technical developments without notice.

All rights reserved · Printed in Germany
RAN 801.45 e / L&S 0606

Raytheon Anschütz GmbH
D-24100 Kiel, Germany
Tel +49(0)4 31-30 19-0
Fax +49(0)4 31-30 19-291
Email sales@raykiel.com
www.raytheon-anschuetz.com