

Echo Sounder

GDS 101



Echo Sounder

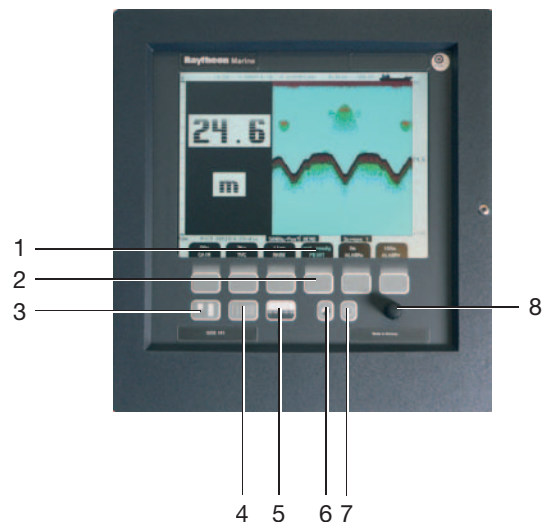
GDS 101

The Raytheon Marine Colour GDS 101 (Graphic Depth Sounder) is a universal echo sounder for vessels of all sizes which require a navigational echo sounder onboard. The echo sounder is designed for ease of use and incorporates more features than the most other echo sounders on the market. It has a rugged and robust mechanical design and can be operated as a single or dual frequency unit.

The GDS 101 has a backlit TFT colour display with high resolution dot-matrix screen which indicates all vital data. Information is presented in graphic and/or numeric format. The user can select different screens and languages. The operator unit can be controlled by using soft keys, fixed function buttons and a rotating knob for easy adjustments. The depth data of the last 24 hours together with other relevant data such as time, date, position, course and speed are saved and recorded in an internal memory. All data can be printed out on an optional printer.

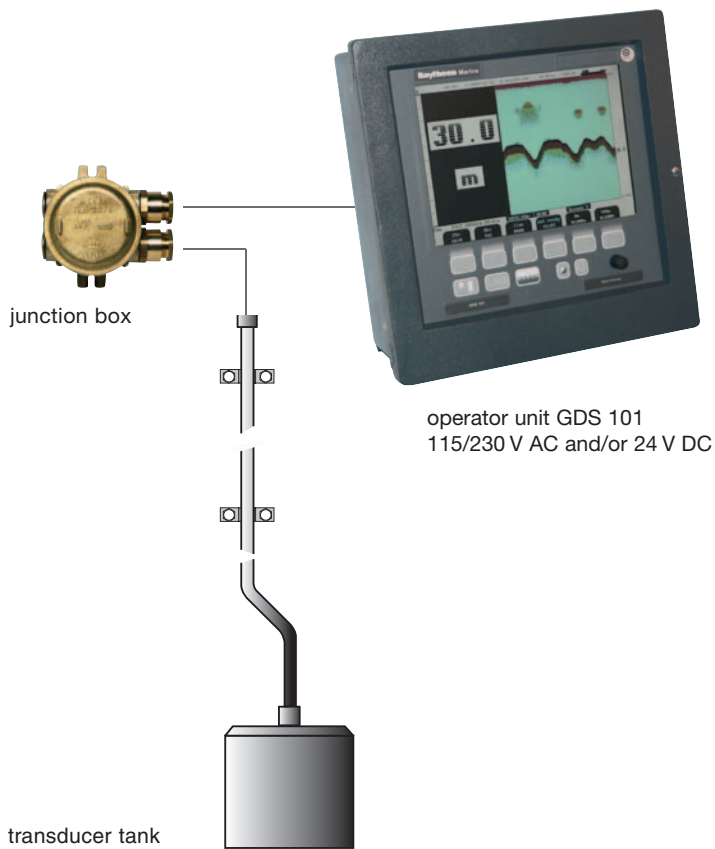
Inputs are provided for speed log, compass, navigation receiver and outputs for repeater, voyage data recorder, printer, alarm panel and computer system. The system can operate on AC and/or DC power supply and can be installed easily. A selection is available between the standard tank transducer or the optional gate valve transducer for quick and low cost service.

The GDS 101 is a paperless digital navigation echo sounder and fulfils all relevant international requirements and resolutions as agreed by SOLAS, IMO, IEC. The system is type approved acc.to MED 96/98/EC, directive 2002/75/EC, USCG, and Russian Maritime Register of Shipping.

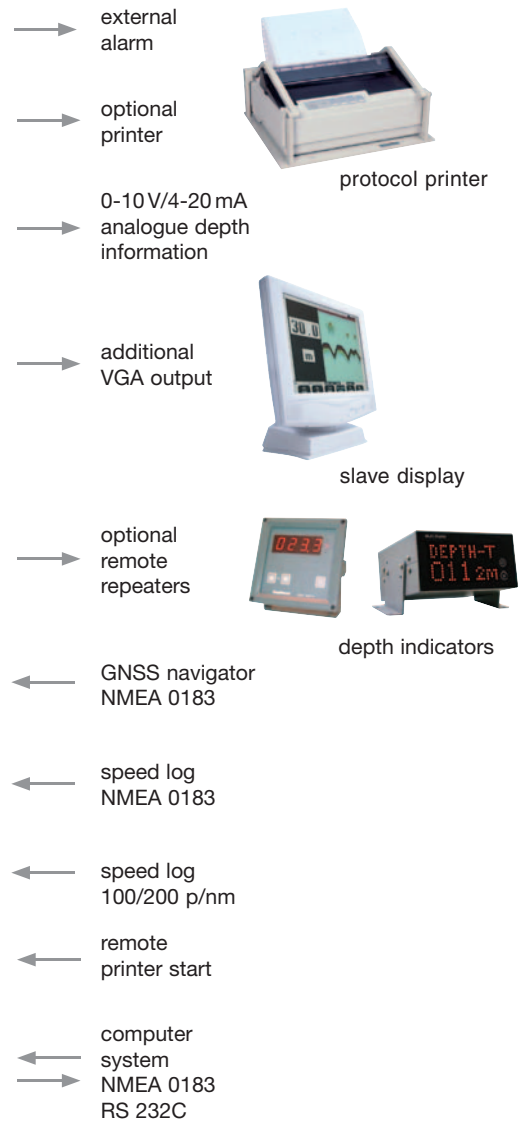


- 1 Soft key text
- 2 Soft keys
- 3 Depth range setting
- 4 Display speed setting
- 5 Screen select
(press to scroll through the first three »soft-key« screens)
- 6 Day/Night vision
- 7 Screen backlight
- 8 Encoder knob
(rotate while keeping a key pressed to change a setting)

Installation



Interface

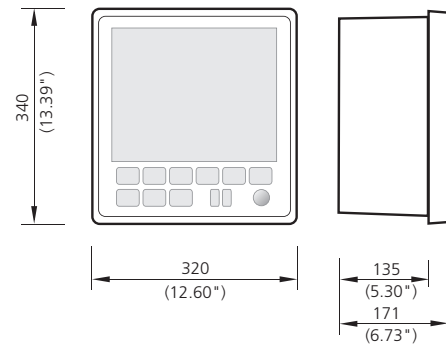


Your Benefits

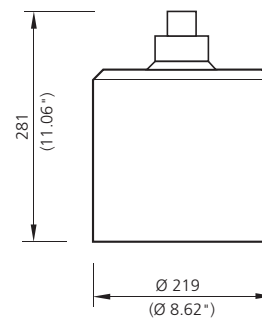
- Large 10.4" graphic super twist colour display
- Individual adjustable depth ranges
- Self-explanatory operation in six different languages
- Highest reliability
- Status and oscilloscope screen for easy diagnostics, also printable

Technical Data

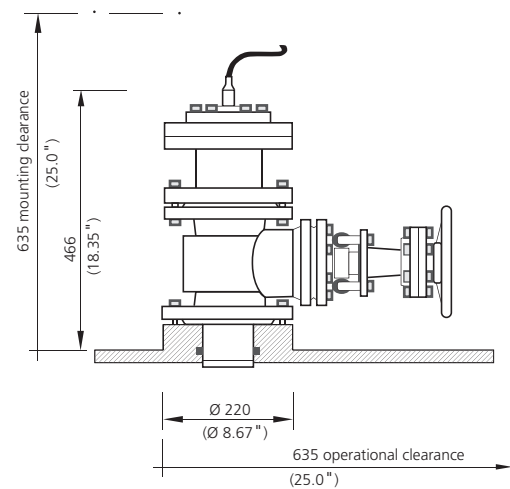
Power supply	96-125 V AC or 195-253 V AC, and/or 20-32 V DC with automatic switch over
Power consumption	70 VA at AC supply or 50 W at DC supply
Transducer frequencies	50 kHz and/or 200 kHz, selectable from key board (other freq. on request) single or dual-frequency as standard
Display	10.4"/150x200 mm graphic (640 x 480) dot-matrix super twist TFT screen
Languages	English, French, German, Spanish, Russian, Norwegian
Ranges	adjustable from 0-10 m to 0-1600 m fixed, adjustable or automatically adjusted
Min. depth below transducer	approx. 0.5 m (200 kHz)
Units	meters, feet, fathoms or braccias
Measuring accuracy	better than 1% of scale end value
Output power	max. 1000 W, adjustable
Interfaces	<p>Inputs: 2x NMEA 0183 for speed, position, heading, time 100/200 pulse/nm for speed Remote printer start</p> <p>Outputs: 2x RS422; NMEA 0183 depth output 1x RS232 C 4-20 mA and 0-10 V for depth detected video, VGA Alarm contact Printer interface Trigger and bottom pulses</p>
Environmental conditions	according to IEC 60945
Protection code	IP 23 for operator unit
Weights	Operator unit: 10 kg Transducer tank: 32 kg Gate valve: 63 kg Transducer with 40 m cable: 8 kg
Options	Digital repeater Printer Gate valve



operator unit



transducer tank



gate valve (optional)

Subject to alteration due to technical developments without notice.